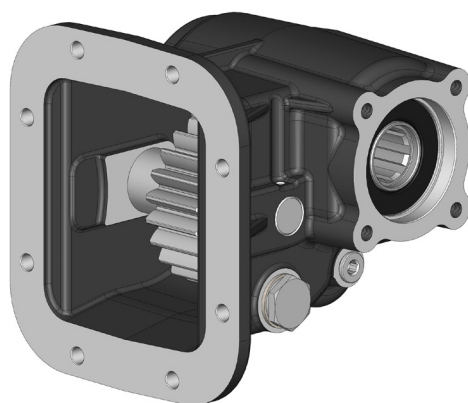


# PTO for HINO MX06S/07S gearboxes

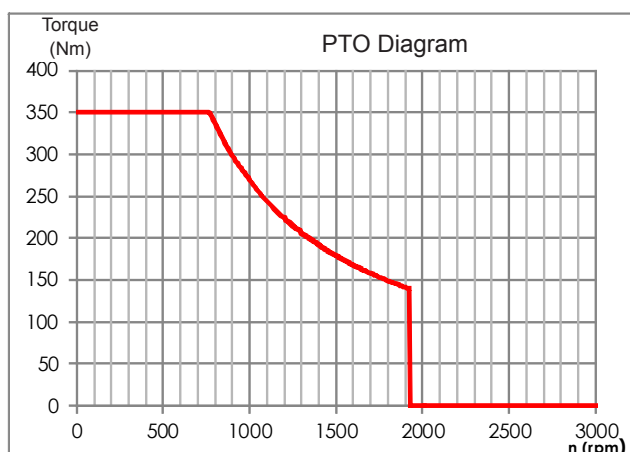
We are pleased to inform you that we have now available a new heavy duty PTO for the transmission model HINO MX0S/07S.

The order code is:

- PTO with pneumatic control: **070-026-00173**



Gearbox	Version	Pto ratio@1000 eng.rpm rpm	Max torque Nm	Mounting side	Output	Rotation	Mounting kit
<b>MX06S MX07S</b>	17	767,5	<b>350</b>	Left	Rear	Acw	154-003-03222



For any information you may need, please contact export department.